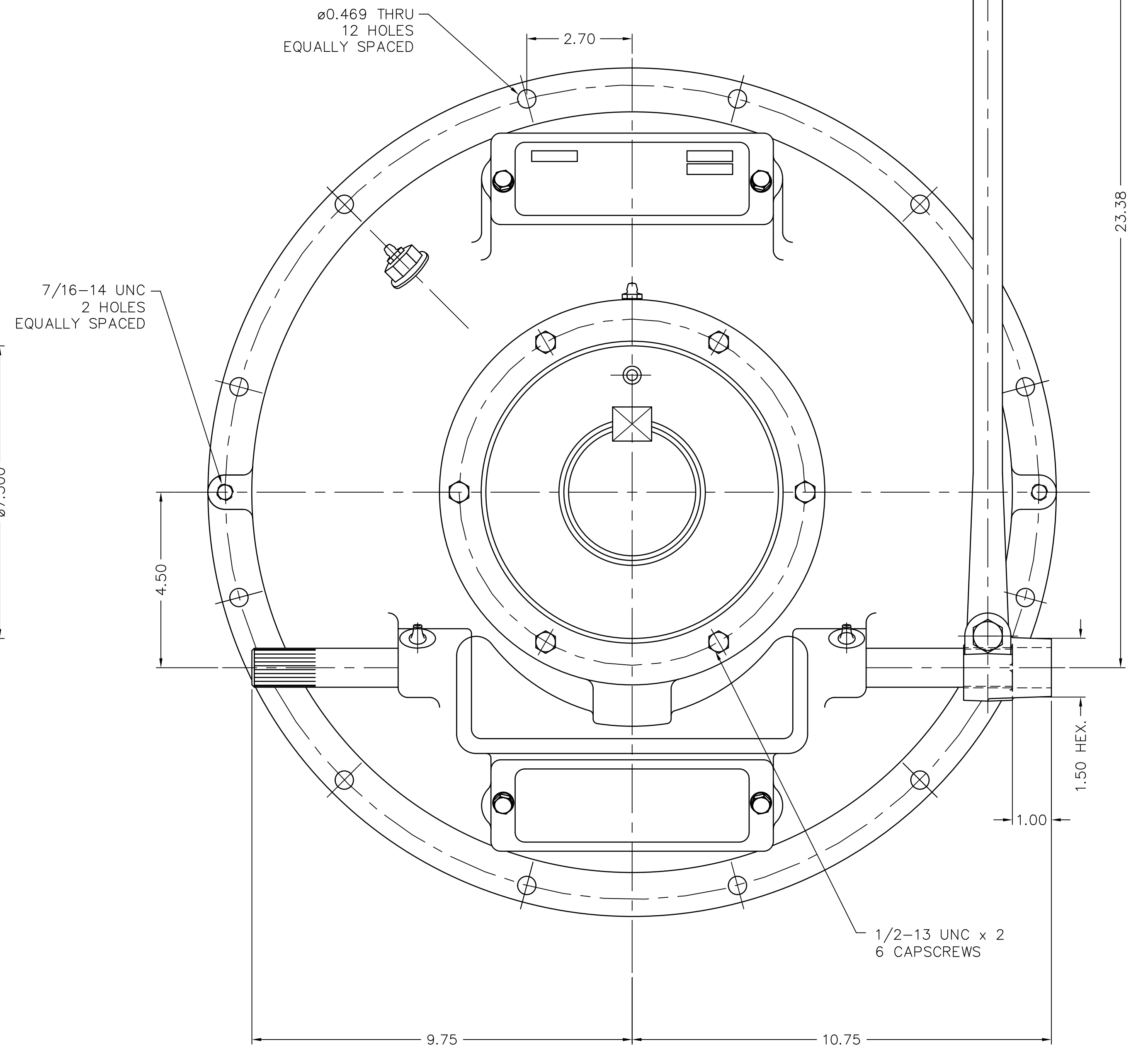


GENERAL NOTES:

- a.) REFER TO BILL OF MATERIAL LIST WHEN ORDERING PARTS.
- b.) REFER TO CARE & OP. MANUAL FOR ADDITIONAL INFO.



UNLESS OTHERWISE SPECIFIED MACHINED DIMENSIONS X.X ±0.030 X.XX ±0.010 X.XXX ±0.005 ALL ANGULAR TOLERANCES ±1° GEOMETRIC TOLERANCING PER ASME Y14.5M 1994.	WEIGHT	MR <sup>2</sup>	FIRST USE	INCH	MATERIAL	HEAT TREAT	DATE	TWIN DISC INCORPORATED RACINE, WI 53403 - USA	
	LBS.	LBS./IN <sup>2</sup>	ASSY. MODEL				06-13-03		
NOTICE: THIS PRINT CONTAINS PROPRIETARY INFORMATION AND IS NOT TO BE USED IN ANY MANNER DETRIMENTAL TO THE INTEREST OF TWIN DISC, INCORPORATE. THIS NOTICE IS NOT INTENDED TO NULLIFY OR LIMIT RIGHTS GRANTED TO THE U.S. GOVERNMENT OR OTHERS BY CONTRACT.	SP214P120 SP214P1			THIRD ANGLE PROJECTION	SIMILAR TO	NAME	SCALE	SP214P120	
						SP214P1 POWER TAKE-OFF	1:50 = 1		
							DRN: DJH	DWG SIZE	SHT. 2 OF 2 REV E
							JTS	A	