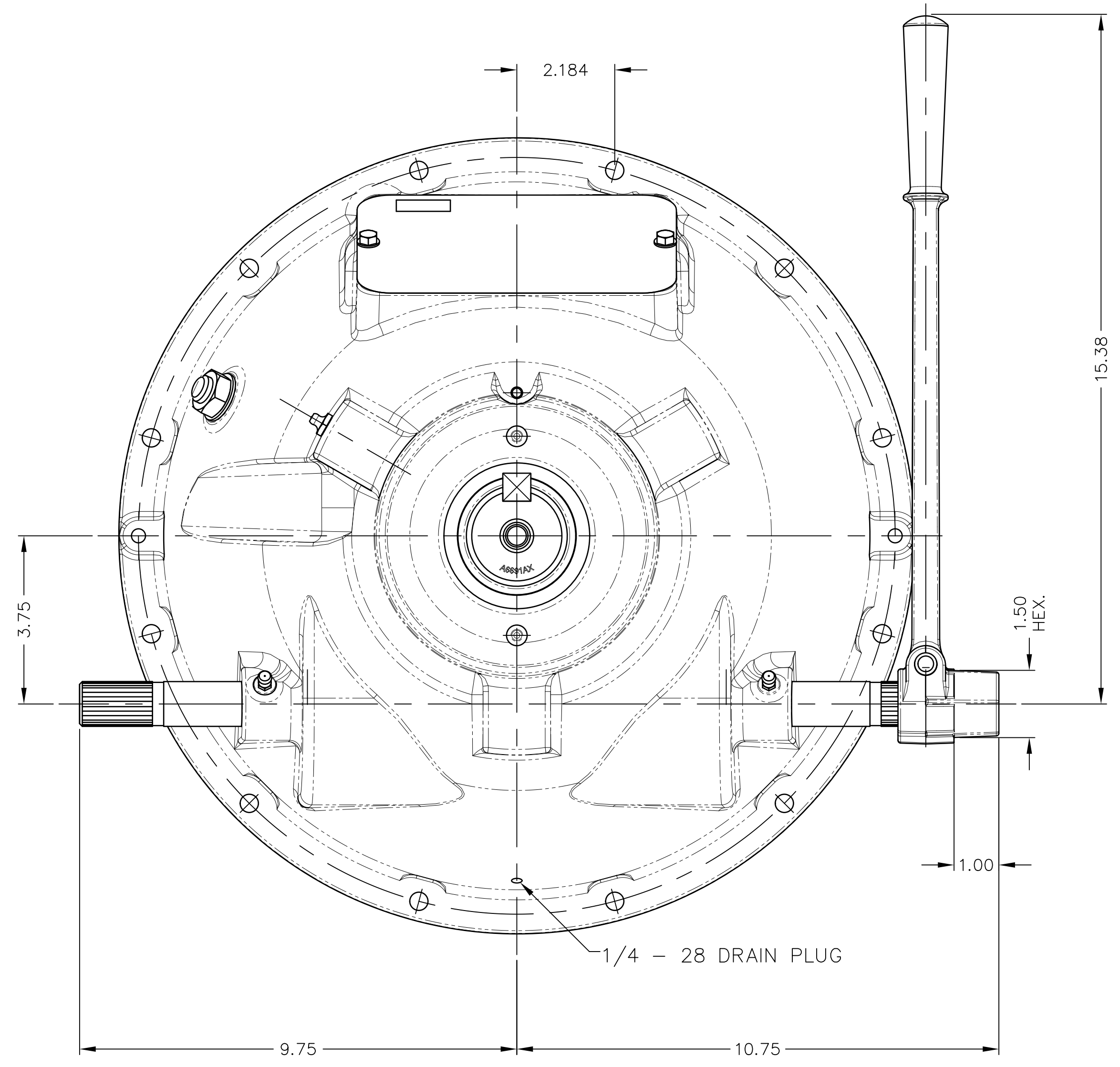


NOTE:  
TO INSURE NO PRELOAD ON SHIFTING MECHANISM. HAND LEVER POSITION IN THE ENGAGED POSITION SHOULD BE VERTICAL OR SLIGHTLY OVER CENTER OF DISENGAGED POSITION.



GENERAL NOTES:

- a.) REFER TO BILL OF MATERIAL LIST WHEN ORDERING PARTS.
- b.) REFER TO CARE & OPERATION MANUAL FOR ADDITIONAL INFO..

UNLESS OTHERWISE SPECIFIED MACHINED DIMENSIONS X.X ±0.030 X.XX ±0.010 X.XXX ±0.005 ALL ANGULAR TOLERANCES ±1° GEOMETRIC TOLERANCING PER ASME Y14.5M 1994.	WEIGHT	WR <sup>2</sup>	FIRST USE	INCH	MATERIAL	HEAT TREAT	DATE 07-19-17	TWIN DISC INCORPORATED RACINE, WI 53403 - USA	
	LBS.	LBS./IN <sup>2</sup>	ASSY. SP211P326 MODEL SP211HP3		SIMILAR TO	NAME SP211HP3 POWER TAKE OFF	SCALE 1.50 = 1		
NOTICE: THIS PRINT CONTAINS PROPRIETARY INFORMATION AND IS NOT TO BE USED IN ANY MANNER DETRIMENTAL TO THE INTEREST OF TWIN DISC, INCORPORATE. THIS NOTICE IS NOT INTENDED TO NULLIFY OR LIMIT RIGHTS GRANTED TO THE U.S. GOVERNMENT OR OTHERS BY CONTRACT.							DRN. JMB	SP211P326	
							CHK. DAJ		DWG SIZE
							APPD. DAJ		SHT 2 OF 2

F | | E | | D | | C | | B | | A