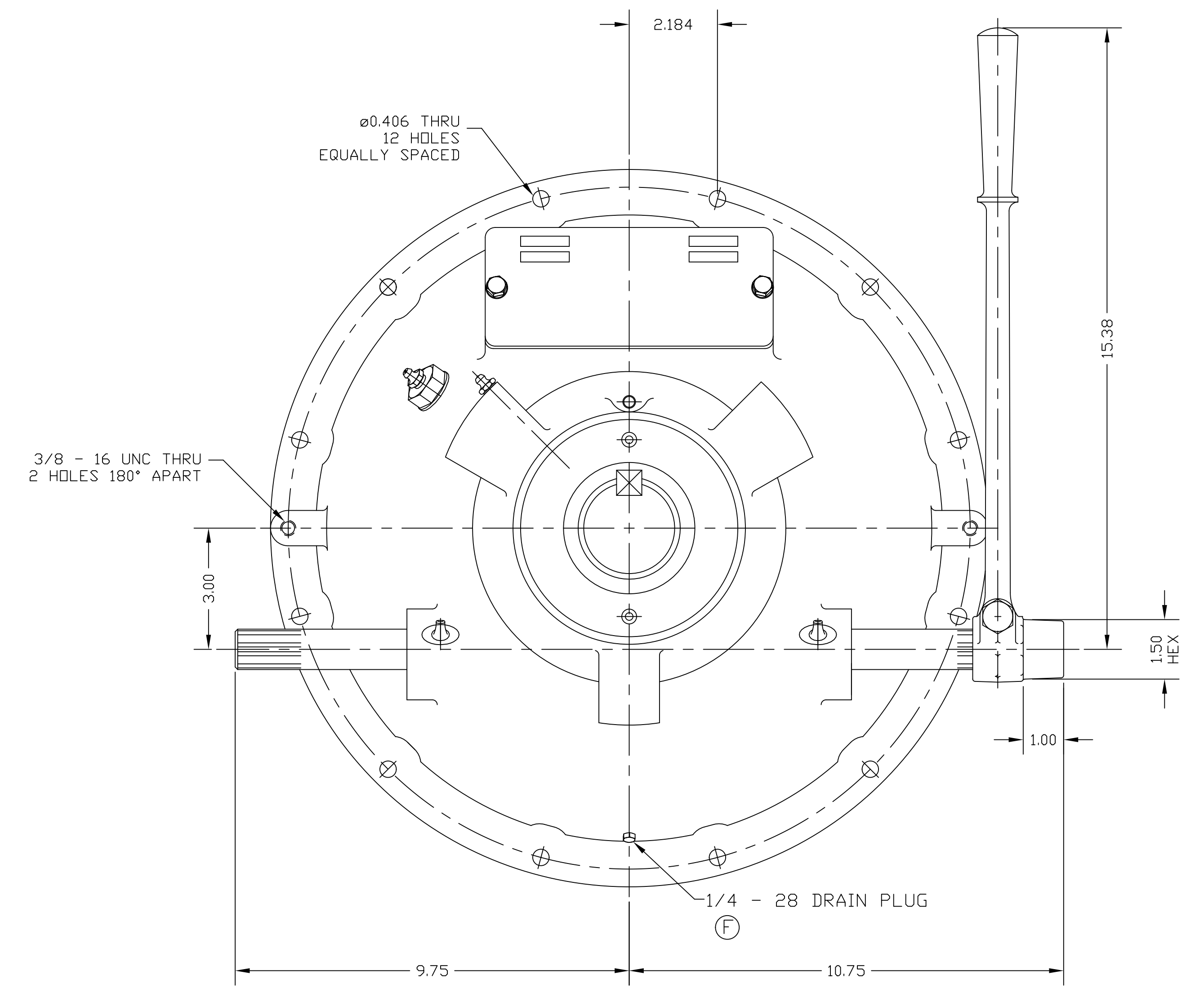
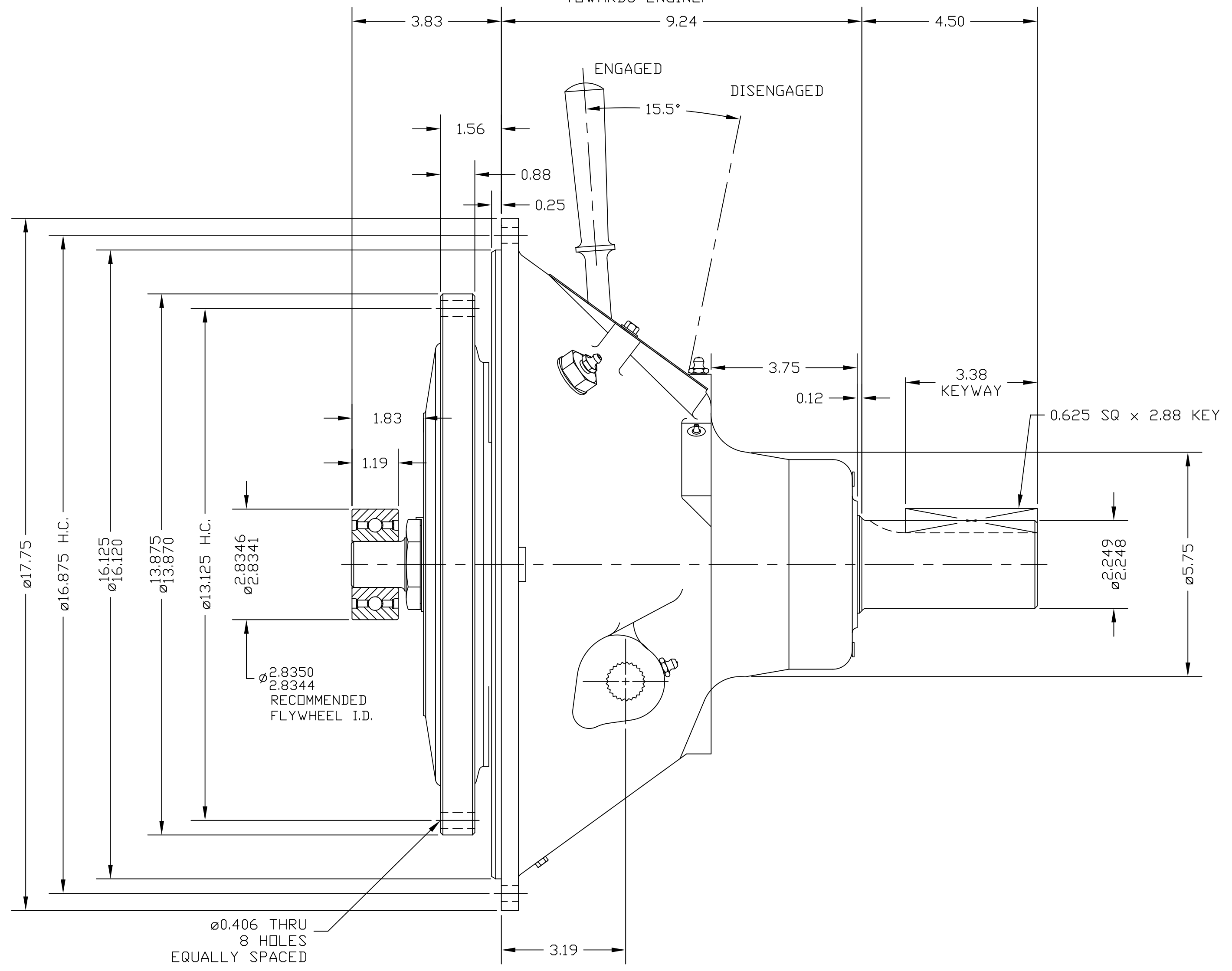


NOTE:
 TO INSURE NO PRELOAD ON SHIFTING
 MECHANISM. HAND LEVER POSITION SHOULD
 BE SLIGHTLY PAST VERTICAL POSITION OR
 TOWARDS ENGINE.



GENERAL NOTES:
 a.) REFER TO BILL OF MATERIAL WHEN ORDERING PARTS.
 b.) REFER TO CARE & OPERATION MANUAL FOR ADDITIONAL INFO.

UNLESS OTHERWISE SPECIFIED MACHINED DIMENSIONS XX ±0.030 X.XX ±0.010 X.XXX ±0.005 ALL ANGULAR TOLERANCES ±1° GEOMETRIC TOLERANCING PER ASME Y14.5M 1994	WEIGHT LBS.	VR ¹ LBS./IN ³	FIRST USE ASSY. SP111P335 MODEL SP111P3	INCH	MATERIAL SIMILAR TO	HEAT TREAT	DATE 09-15-04	TWIN DISC INCORPORATED RACINE, WI 53403 - USA	
	NOTICE: THIS PRINT CONTAINS PROPRIETARY INFORMATION AND IS NOT TO BE USED IN ANY MANNER DETRIMENTAL TO THE INTEREST OF TWIN DISC, INCORPORATE THIS NOTICE IS NOT INTENDED TO NULLIFY OR LIMIT RIGHTS GRANTED TO THE U.S. GOVERNMENT OR OTHERS BY CONTRACT.			THIRD ANGLE PROJECTION	NAME SP111HP3 POWER TAKE-OFF	APP'D. JTS	SCALE .50 = 1		DRN DJH
							CHK. JTS	REV F	1