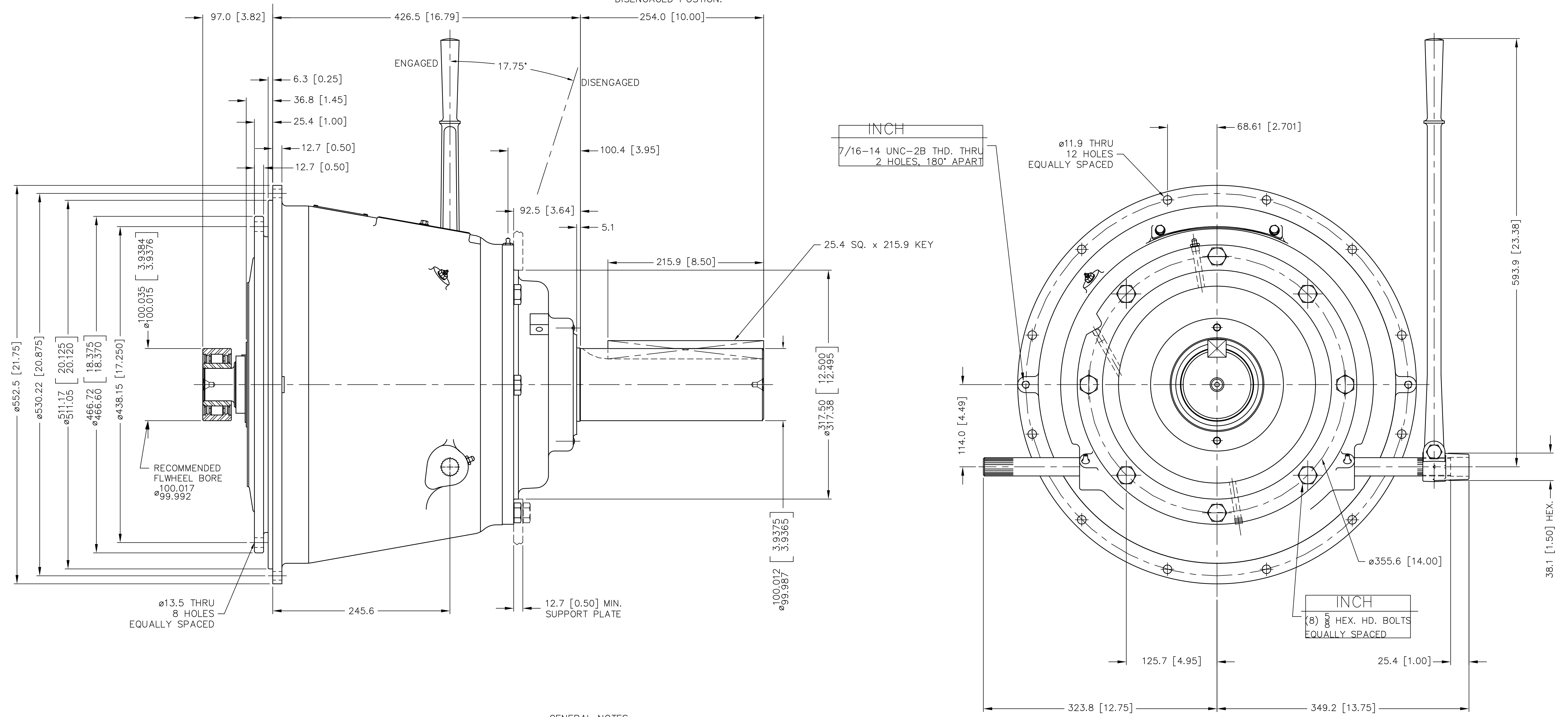


NOTE:
TO INSURE NO PRELOAD ON SHIFTING MECHANISM. HAND LEVER POSITION IN THE ENGAGED POSITION SHOULD BE VERTICAL OR SLIGHTLY OVER CENTER OF DISENGAGED POSITION.



GENERAL NOTES:
a.) REFER TO BILL OF MATERIAL LIST WHEN ORDERING PARTS.
b.) REFER TO CARE & OPERATION MANUAL FOR ADDITIONAL INFO.
c.) A SUPPORT PLATE MUST BE USED.

UNLESS OTHERWISE SPECIFIED DIMENSIONS ARE mm MACHINED DIMENSIONS		WEIGHT	WR ¹	FIRST USE	METRIC	MATERIAL	HEAT TREAT	DATE	TWIN DISC INCORPORATED RACINE, WI 53403 - USA
X	±0.75	kg	N·m ²	ASSY. IB314P120 MODEL IB314P1				SCALE	
X.X	±0.25							06/12/96	
X.XX	±0.13							.38 = 1	
ALL ANGULAR TOLERANCES ±1° GEOMETRIC TOLERANCING PER ASME Y14.5M 1994		NOTICE: THIS PRINT CONTAINS PROPRIETARY INFORMATION AND IS NOT TO BE USED IN ANY MANNER DETRIMENTAL TO THE INTEREST OF TWIN DISC. INCORPORATE THIS NOTICE IS NOT INTENDED TO NULLIFY OR LIMIT RIGHTS GRANTED TO THE U.S. GOVERNMENT OR OTHERS BY CONTRACT.			THIRD ANGLE PROJECTION			DRN:	IB314P120
								CHK:	
								APPD:	
								JMS	A1 SHT 2 OF 2 REV E