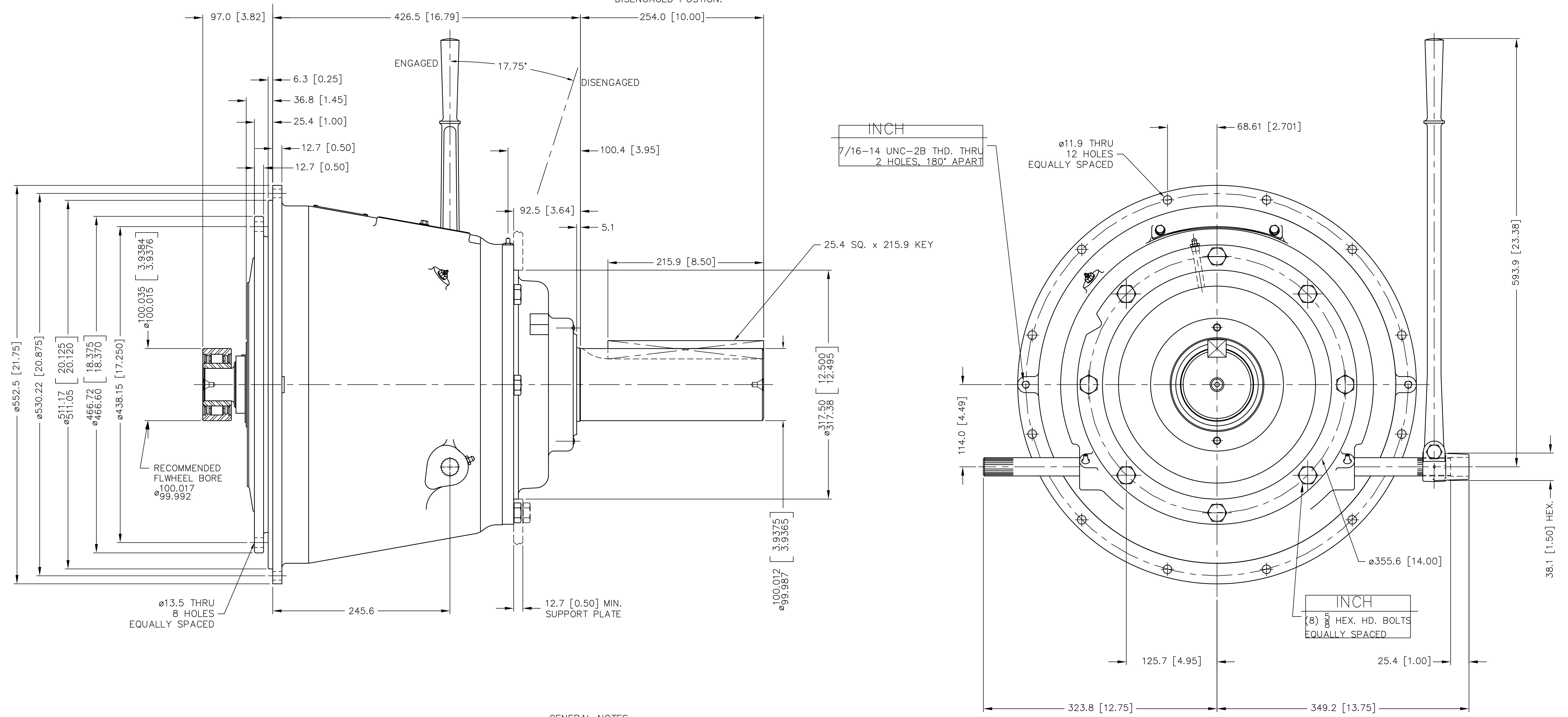


NOTE:
TO INSURE NO PRELOAD ON SHIFTING MECHANISM. HAND LEVER POSITION IN THE ENGAGED POSITION SHOULD BE VERTICAL OR SLIGHTLY OVER CENTER OF DISENGAGED POSITION.



GENERAL NOTES:
a.) REFER TO BILL OF MATERIAL LIST WHEN ORDERING PARTS.
b.) REFER TO CARE & OPERATION MANUAL FOR ADDITIONAL INFO.
c.) A SUPPORT PLATE MUST BE USED.

UNLESS OTHERWISE SPECIFIED DIMENSIONS ARE mm MACHINED DIMENSIONS ±0.25 X ±0.13 X.XX ±0.25 ±0.13 ALL ANGULAR TOLERANCES ±1° GEOMETRIC TOLERANCING PER ASME Y14.5M 1994		WEIGHT kg	VR ³ N.m ³	FIRST USE ASSY. IB314P103 MODEL IB314P1	METRIC	MATERIAL	HEAT TREAT	DATE 06/12/96	TWIN DISC INCORPORATED RACINE, WI 53403 - USA
NOTICE: THIS PRINT CONTAINS PROPRIETARY INFORMATION AND IS NOT TO BE USED IN ANY MANNER DETRIMENTAL TO THE INTEREST OF TWIN DISC. INCORPORATE THIS NOTICE IS NOT INTENDED TO NULLIFY OR LIMIT RIGHTS GRANTED TO THE U.S. GOVERNMENT OR OTHERS BY CONTRACT.						SIMILAR TO	NAME IBF314P1 POWER TAKE-OFF	SCALE .38 = 1	
					THIRD ANGLE PROJECTION			CHK. TRL	IB314P103
								APPD. JMS	DWG SIZE A1 SHT. 2 OF 2 REV D