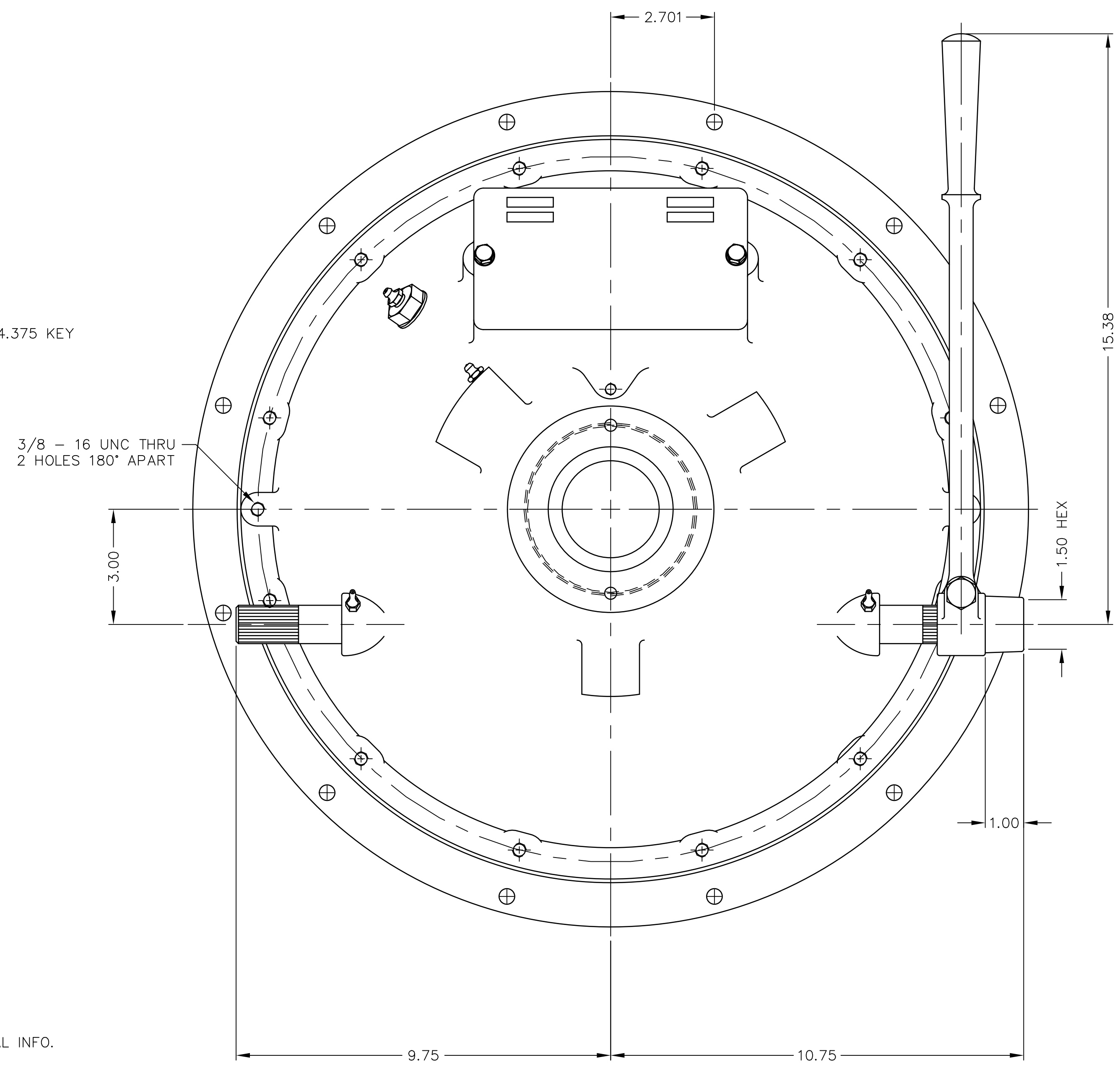


GENERAL NOTES:
 a.) REFER TO BILL OF MATERIAL WHEN ORDERING PARTS.
 b.) REFER TO CARE & OPERATION MANUAL FOR ADDITIONAL INFO.



UNLESS OTHERWISE SPECIFIED MACHINED DIMENSIONS X.X ±0.030 X.XX ±0.010 X.XXX ±0.005 ALL ANGULAR TOLERANCES ±1° GEOMETRIC TOLERANCING PER ASME Y14.5M 1994	WEIGHT	WR ²	FIRST USE	INCH	MATERIAL	HEAT TREAT	DATE	TWIN DISC INCORPORATED RACINE, WI 53403 - USA
	LBS.	LBS./IN ³	ASSY. MODEL				01-27-03	
NOTICE: THIS PRINT CONTAINS PROPRIETARY INFORMATION AND IS NOT TO BE USED IN ANY MANNER DETRIMENTAL TO THE INTEREST OF TWIN DISC, INCORPORATE.	THIS NOTICE IS NOT INTENDED TO WAIVE OR LIMIT RIGHTS GRANTED TO THE U.S. GOVERNMENT OR OTHERS BY CONTRACT.			THIRD ANGLE PROJECTION	SIMILAR TO X8249	NAME CX110P1 PTO	DRN. DJH	CX110P101
						CHK. JTS	DWG. JTS	

F I E I D I C B I A