

Shock and Vibration Switch – VS2 Series



Features

- Designed to Detect Shock/Vibration in 3-Planes of Motion
- Fully Adjustable
- Includes Magnetic Latching Feature
- Manual or Electric Reset

* Selected Configurations are Third Party Listed

The VS2 Series switches are shock sensitive mechanisms for shutdown of engine or electric motor powered equipment. These switches use a magnetic latch to ensure reliable operation. Explosion-proof “EX” models for hazardous locations are available.

Applications

Ideal for use on engines, pumps, compressors, heat exchangers and pumping units, the VS2 Series can be used anywhere shutdown protection from damaging shock/vibration is desired. Switches are field adjustable to sensitivity required in each application.

Specifications

VS2 and VS2C

Case: Environmental Protection: Ingress protected to IP54 (when mounted on a horizontal surface with drain holes down). Suitable for non-hazardous areas.

VS2C: C-clamp mount, includes 45 ft. (13.7 m) 2-conductor cable, and 5 cable clamps

Contacts: SPDT-double make leaf contacts, 10A @ 120 VAC; 10A @ 32 VDC

Shipping Weight:

VS2: 2 lb 8 oz. (1.1 kg)

VS2C: 7 lb (3.2 kg)

Shipping Dimensions:

VS2: 8-1/4 x 9-1/4 x 5 in. (210 x 235 x 127 mm)

VS2C: 12 x 7 x 5-1/2 in. (305 x 178 x 140 mm)

VS2EX

Case: Base mount, explosion-proof aluminum alloy housing; meets IP54 specifications; Class I, Division 1, Groups C & D; UL and CSA listed

Certification: CSA, UL

Snap-switches: 2-SPDT snap-switches; 5A @ 480 VAC; 2A resistive, 1A inductive, up to 30 VDC

Normal Operating Temperature: -40°F to 185°F (-40°C to 85°C)

Basic Operation

Pushing the reset button moves the tripping latch into a magnetically held position. A shock/vibration will move the magnet beyond this holding position, thus freeing the spring loaded tripping latch to transfer the contacts and shutdown the machinery (see dimensional diagrams in the following pages for visual representation of parts).

Remote Reset Option (VS2EXR and VS2EXRB)

The remote reset option includes a built-in electric solenoid which allows reset of tripped unit from a remote location. Available for 115 VAC or 24 VDC.

Shipping Weight: 4 lb 8 oz. (2 kg)

Shipping Dimensions: 8-1/4 x 9-1/4 x 5 in. (210 x 235 x 127 mm)

VS2EXR

Case: Same as VS2EX

Certification: CSA, UL

Snap-switch: 1-SPDT snap-switch and reset coil; 5A @ 480 VAC; 2A resistive, 1A inductive, up to 30 VDC

Remote Reset: 115 VAC or 24 VDC (specify)

Shipping Weight: 5 lb 8 oz. (2.2 kg)

Shipping Dimensions: 8-1/4 x 9-1/4 x 5 in. (210 x 235 x 127 mm)

VS2EXRB

Case: Explosion-proof aluminum alloy housing; rated Class I, Division 1, Group B hazardous areas

Certification: No third party certification

Snap-switch: 1-SPDT snap-switch with reset coil (option available for 2-SPDT switches); 5A @ 480 VAC; 2A resistive, 1A inductive, up to 30 VDC

Remote Reset: 115 VAC or 24 VDC (specify)

Shipping Weight: 17 lb 8 oz. (7.9 kg)

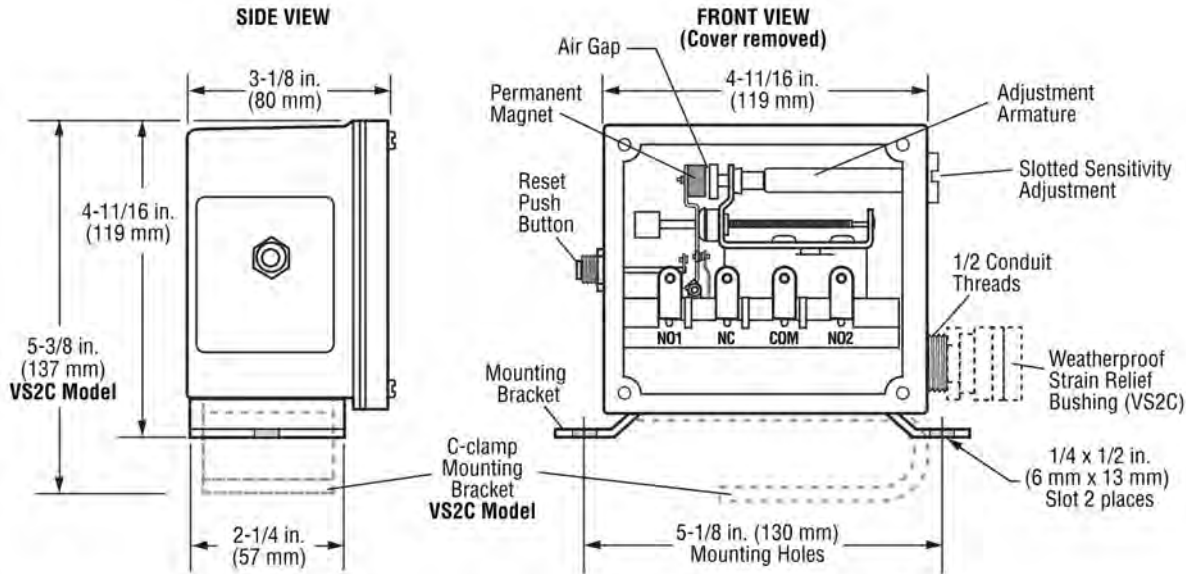
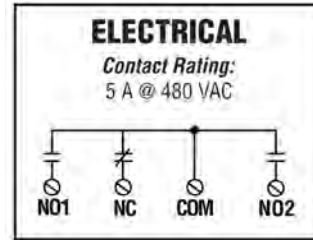
Shipping Dimensions: 12 x 12 x 10 in. (305 x 305 x 254 mm)

Dimensions

Environmental Protection: Ingress protected to IP54 (when mounted on a horizontal surface with drain holes down).

VS2 and VS2C

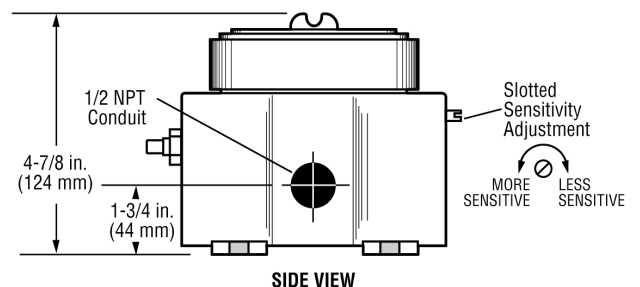
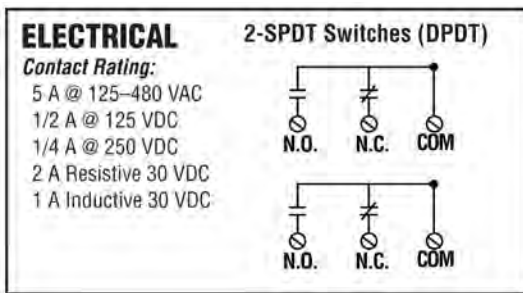
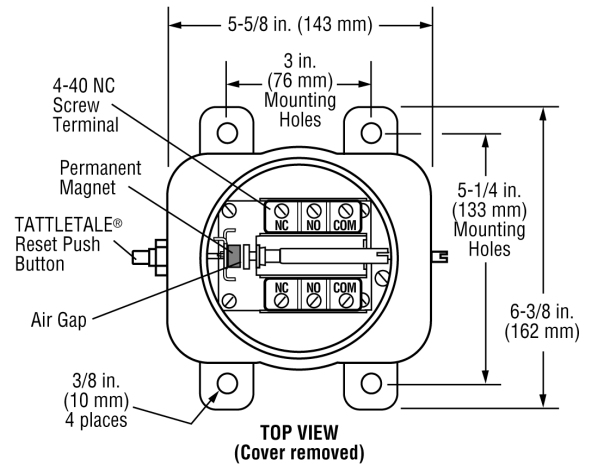
The VS2 and VS2C are designed for use in non-hazardous locations. They have leaf type SPDT, double make contacts that can be used for shutdown and/or alarm. They have a slotted sensitivity adjustment located on the side of the case (see drawing below).



VS2EX

- IP54 Specifications
- Snap-switch Contacts
- TATTLETALE® Reset Button

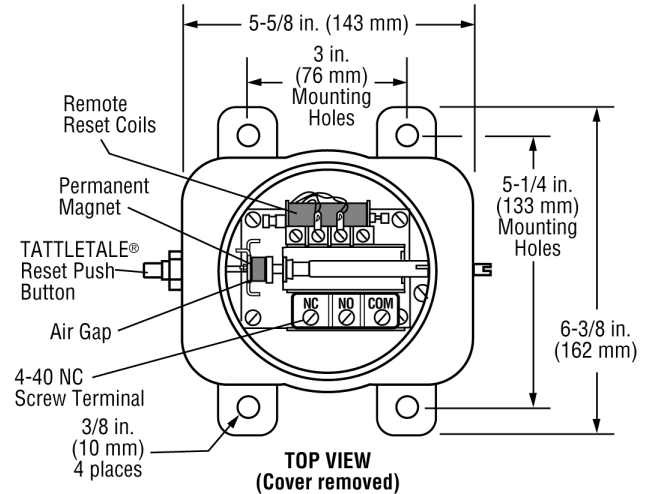
Model VS2EX is housed in an explosion-proof enclosure with threaded cover. This enclosure is CSA and UL listed for Class I, Division 1, Groups C & D hazardous locations. In place of the leaf type contacts, 2-SPDT snap-switches are used in this model. Sensitivity is externally adjustable and, when tripped, the VS2EX gives a TATTLETALE® indication on the reset button. It is constructed to meet IP54 specifications.



VS2EXR

- Remote Reset Feature
- IP54 Specifications
- Snap-switch Contacts
- TATTLETALE® Reset Button

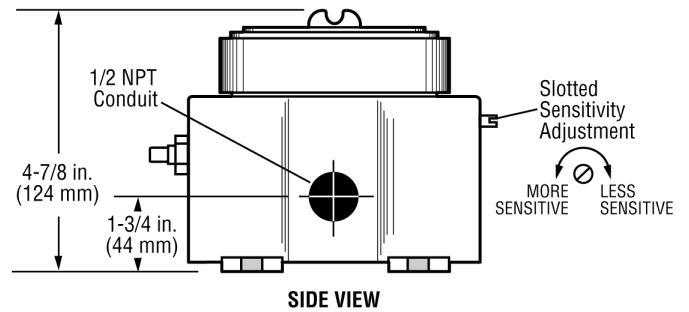
Model VS2EXR features an electric remote reset feature in addition to the TATTLETALE® reset button. The VS2EXR uses only one SPDT snap-switch and is CSA and UL listed for Class I, Division 1, Groups C & D hazardous locations. It is constructed to meet IP54 specifications.



ELECTRICAL	
Contact Rating:	
5 A @ 125-480 VAC	
1/2 A @ 125 VDC	
1/4 A @ 250 VDC	
2 A Resistive 30 VDC	
1 A Inductive 30 VDC	
Remote Reset Rating:	
115 VAC or 24 VDC (Specify)	
350 mA AC/DC	

Remote Reset

SPDT Snap-switch



VS2EXRB

- For Group B Locations
- Snap-switch Contacts
- DPDT Feature Optional

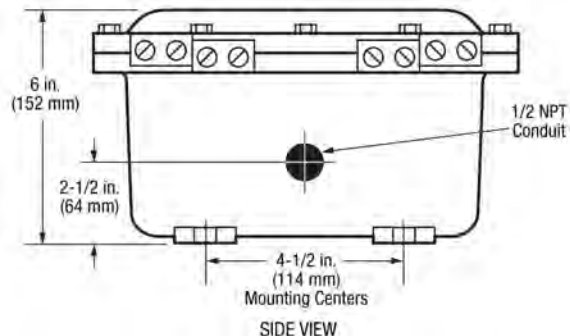
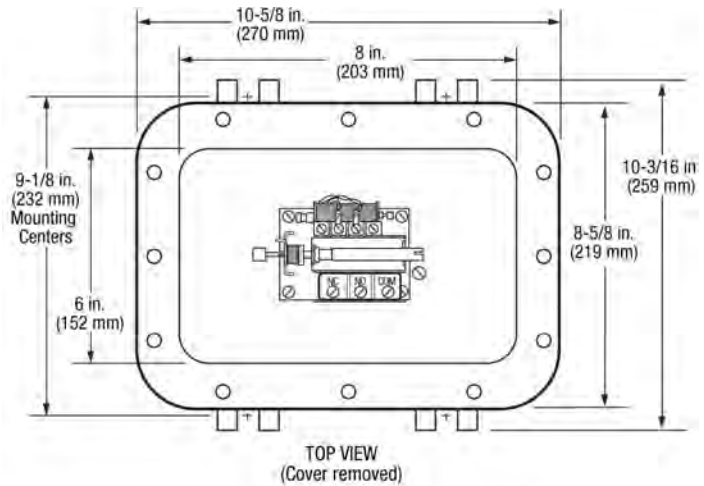
Model VS2EXRB is constructed for use in Class I, Division 1, Group B, hazardous locations. It has, as standard, a SPDT snap-switch and an electric remote reset. Option is available for DPDT snap-switch

ELECTRICAL	
Contact Rating:	
5 A @ 125-480 VAC	
1/2 A @ 125 VDC	
1/4 A @ 250 VDC	
2 A Resistive 30 VDC	
1 A Inductive 30 VDC	
Remote Reset Rating:	
115 VAC or 24 VDC (Specify)	
350 mA AC/DC	

Remote Reset

SPDT Snap-switch

Option SPDT Snap-switch (DPDT)



Service Parts

When ordering service parts, specify both part number and description in listing below.

PART NO. DESCRIPTION

VS2 and VS2C

- 20-00-0030 Movement assembly
- 20-00-0031 Glass and gasket assembly
- 20-00-0032 Reset push button assembly
- 20-05-0021 Mounting clamp (VS2C)
- 20-00-0261 Cable clamp assembly (1 each) (VS2C)
- 20-05-0465 2-Conductor electrical cable, 45 feet (13.7 meters) (VS2C)
- 20-00-0137 5 clamps and 45 feet (13.7 meters) of cable (VS2C)

VS2EX

- 20-01-0091 Movement assembly
- 20-05-0087 Cover
- 00-00-0309 Cover gasket
- 20-01-0090 Snap-switch and insulator kit (1 switch per kit)

prior to September 1, 1995.*

20-00-0288 Snap-switch and insulator kit (1 switch per kit) for models manufactured on September 1, 1995 or later.*

- 20-00-0289 C-clamp conversion mounting kit

VS2EXR

- 20-00-0262 Movement assembly
- 20-05-0087 Cover
- 00-00-0309 Cover gasket
- 20-01-0090 Snap-switch and insulator kit (1 switch per kit)

prior to September 1, 1995.*

20-00-0288 Snap-switch and insulator kit (1 switch per kit) for models manufactured on September 1, 1995 or later.*

- 20-00-0049 Reset solenoid assembly (115 VAC)
- 20-00-0234 Reset solenoid assembly (24 VDC)
- 20-00-0289 C-clamp conversion mounting kit

VS2EXRB

- 20-01-0090 Snap-switch and insulator kit (1 switch per kit)
- prior to September 1, 1995.***
- #### 20-00-0288 Snap-switch and insulator kit (1 switch per kit) for models manufactured on September 1, 1995 or later.*
- 20-00-0057 Inside snap-switch and insulator kit (1 switch per kit) for model VS2EXRB-D

prior to September 1, 1995.*

- 20-00-0058 Outside snap-switch and insulator kit (1 switch per kit) for model VS2EXRB-D

prior to September 1, 1995.*

20-00-0287 Inside snap-switch and insulator kit (1 switch per kit) for model

VS2EXRB-D manufactured on September 1, 1995 or later.*

20-00-0290 Outside snap-switch and insulator kit (1 switch per kit) for model

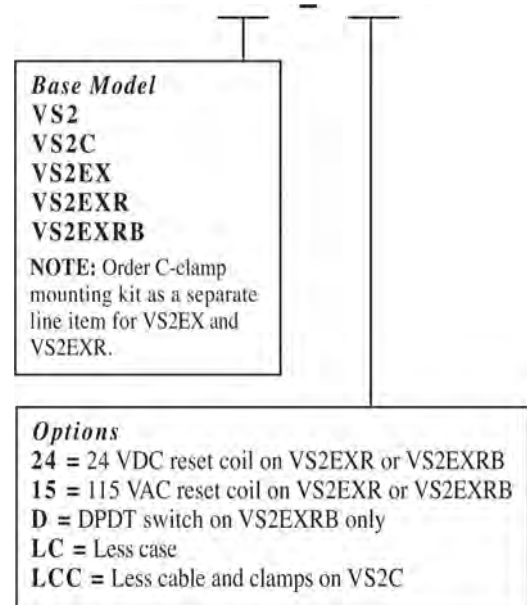
VS2EXRB-D manufactured on September 1, 1995 or later.*

- 20-05-0077 Adjustment shaft
- 20-00-0262 Movement assembly
- 20-00-0049 Reset solenoid assembly (115 VAC)
- 20-00-0234 Reset solenoid assembly (24 VDC)

*Models with date 0895 and before use old switch. Dated 0995 after, use straight snap-switch arm, no rollers.

How to Order

To order your VS2 Series model use the diagram below.
Part number example: **VS2EXR-24**



FW MURPHY

5311 South 122nd East Avenue
 Tulsa, Oklahoma 74146 USA
 Phone: +1 918 317 4100 Fax: +1 918 317 4266
 E-mail: sales@fwmurphy.com
 Web: www.fwmurphy.com

ECONTROLS, INC

5757 Farinon Drive
 San Antonio, Texas 78249 USA
 Phone: +1 210 495 9772 Fax: +1 210 495 9791
 E-mail: info@econtrols.com
 Web: www.econtrols.com

FWM INDUSTRIAL PANEL DIVISION

5311 South 122nd East Avenue
 Tulsa, Oklahoma 74146 USA
 Phone: +1 918 317 4100 Fax: +1 918 317 4124
 E-mail: ipdsales@fwmurphy.com
 Web: www.fwmurphy.com

FRANK W. MURPHY, LTD

Church Road, Laverstock
 Salisbury SP1 1QZ UK
 Phone: +44 1722 410055 Fax: +44 1722 410088
 E-mail: sales@fwmurphy.co.uk
 Web: www.fwmurphy.co.uk

FW MURPHY INSTRUMENTS (HANGZHOU) CO. LTD

77 23rd Street
 Hangzhou Economic & Technological Development Area
 Hangzhou, Zhejiang 310018 China
 Phone: +86 571 8788 6060 Fax: +86 571 8684 8878
 E-mail: apsales@fwmurphy.com
 Web: www.fwmurphy.com/company_ch

FW MURPHY (LATIN AMERICA & CARIBBEAN)

Apdo. Postal 2-06, Admon. "Lomas" Cord. Arakán 606-16
 Lomas 4th Sección 78211, San Luis Potosí, S.L.P., México
 Phone: +1 918 317-2500
 E-mail: lasales@fwmurphy.com
 Web: www.fwmurphy.com

FW MURPHY INDIA

301, 3rd Floor, Krsna Chambers
 11, Galaxy Garden, North Main Road,
 Koregaon Park, Pune - 411001, Maharashtra, India
 Phone: +91 91581 37633
 E-mail: indiasales@fwmurphy.com
 Web: www.fwmurphy.com

FW MURPHY (SOUTH KOREA)

Seongnam, South Korea
 Phone: +82 70 7951 4100
 E-mail: skoreasales@fwmurphy.com
 Web: www.fwmurphy.com



USA-ISO 9001:2008 FM 28221
 UK-ISO 9001:2008 FM 28422
 CHINA-ISO 9001:2008 FM 52385
 Registered Facilities



Printed in the USA