



Dependable Power | 512 HP (382 KW) @ 1800 RPM

FEEL THE POWER

(every day)



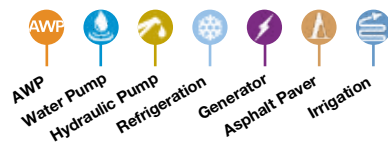
High technology exhaust after treatment provides the ideal level of applied simplicity and end user performance every day.

6WG1

Agricultural General Industrial Marine Eco-Friendly Automotive On Road Heavy Duty



Applications



Certifications

U.S. EPA Tier 4
EU Stage IV

isuzuengines.com

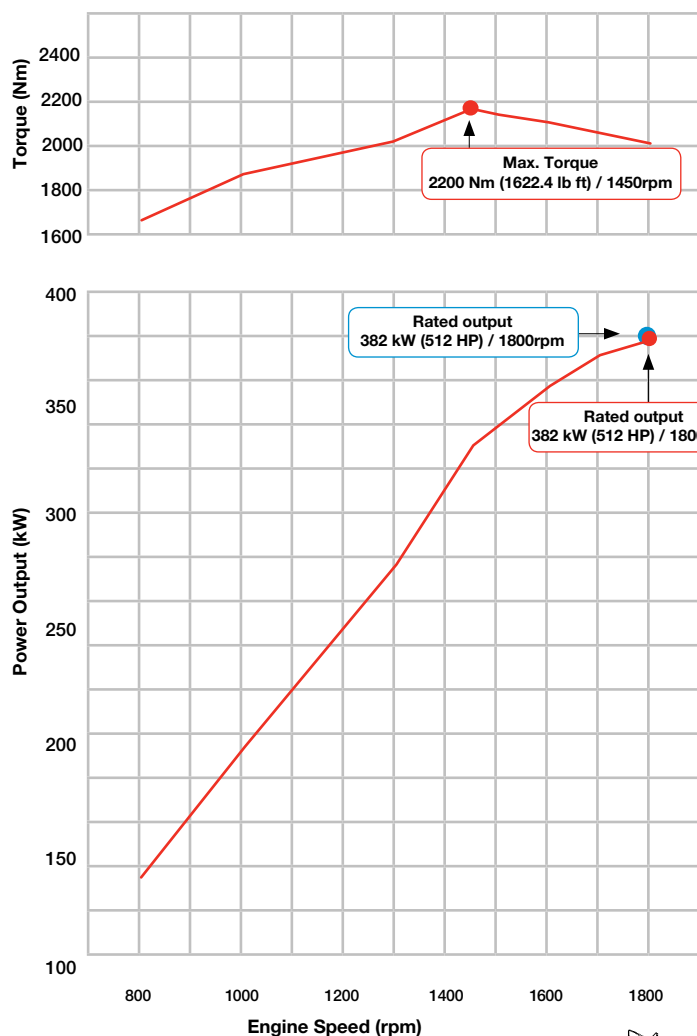


ISUZU
DIESEL

The Strength to Work Harder.

Performance

Engine Performance Curves



Standard

- Emission Control Device, maintenance free
- DOC & SCR
- Other emission-reducing features, including Cooled EGR, Wastegate Turbocharger
- High pressure Common Rail and Direct Injection
- Electric & self-priming fuel lift pump
- Glow plug starting aid
- 5-year / 5,000-hour warranty
- 500-hour oil drain & service interval

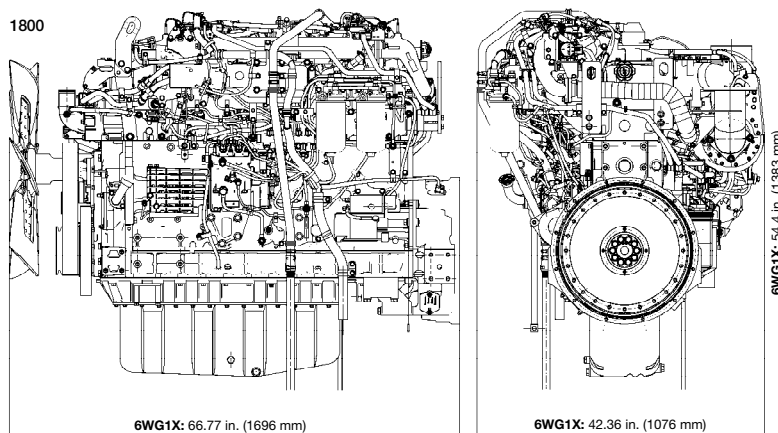
Available Options

- Side or bottom drain oil pan
- SAE B Gear Case PTO
- Cooling packages
- Air cleaners
- Meter board and wire harness
- Engine mounting
- Weather and sound-proofing enclosure
- DEF System

Engine Performance Curves

- 6WG1 – Constant Speed
- 6WG1 – Variable Speed

For additional information, please contact your local distributor or visit isuzuengines.com



Isuzu Motors America, LLC

46401 Commerce Center Drive
Plymouth, Michigan 48170
Phone: 734.582.9470
Fax: 734.455.7581

ILS-6WG1X-014-1