

Isuzu Diesel Engines



4LE2

Generator: 32 HP @ 1800 RPM

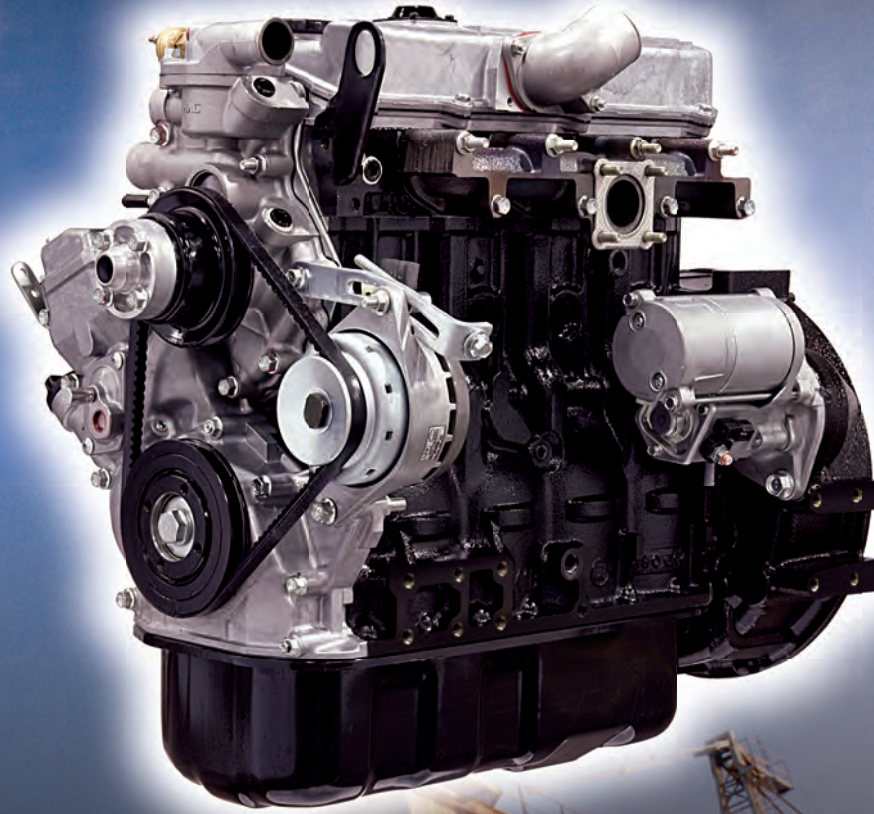
Standard features:

- U.S. EPA Tier 4 Interim
- Displacement: 2.2 L
- Naturally aspirated
- Fuel consumption: .384 LB/HP-HR
- Flywheel housing: SAE 5
- Electric & self-priming fuel lift pump
- 12V and 24V available
- Glow plug starting aid
- High angularity oil pan
- 500-hour service intervals
- 5-year / 5,000-hour warranty

The power behind it all.

ISUZU
DIESEL

Isuzu Diesel Engines



4LE2

Generator: 32 HP @ 1800 RPM

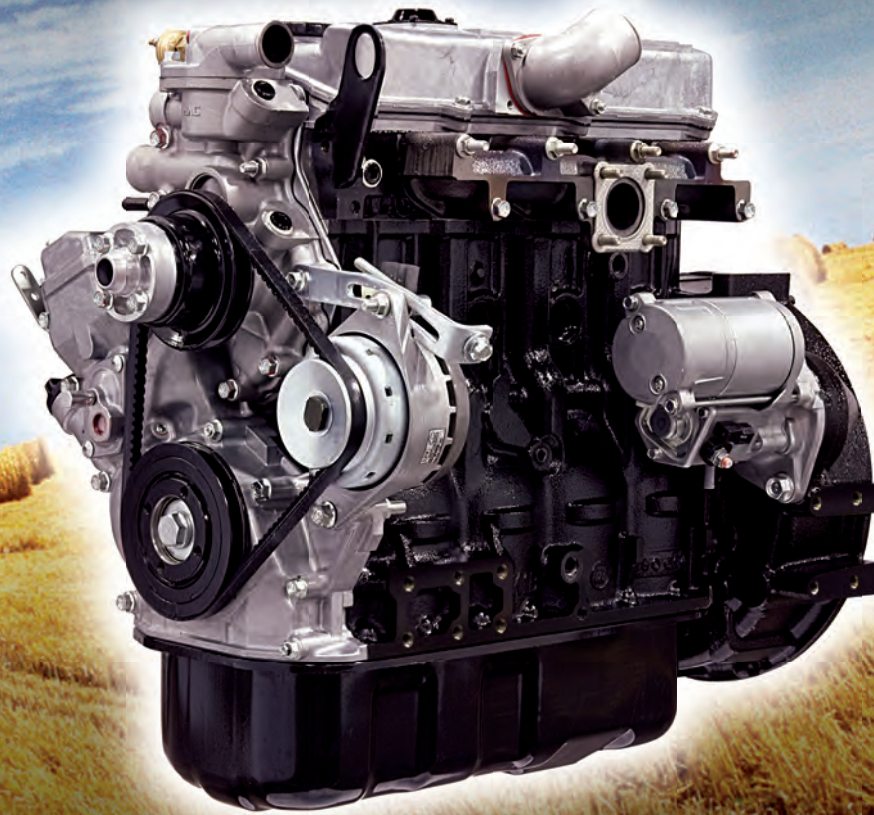
Standard features:

- U.S. EPA Tier 4 Interim
- Displacement: 2.2 L
- Naturally aspirated
- Fuel consumption: .384 LB/HP-HR
- Flywheel housing: SAE 5
- Electric & self-priming fuel lift pump
- 12V and 24V available
- Glow plug starting aid
- High angularity oil pan
- 500-hour service intervals
- 5-year / 5,000-hour warranty

The power behind it all.

ISUZU
DIESEL

Isuzu Diesel Engines



4LE2

Generator: 32 HP @ 1800 RPM

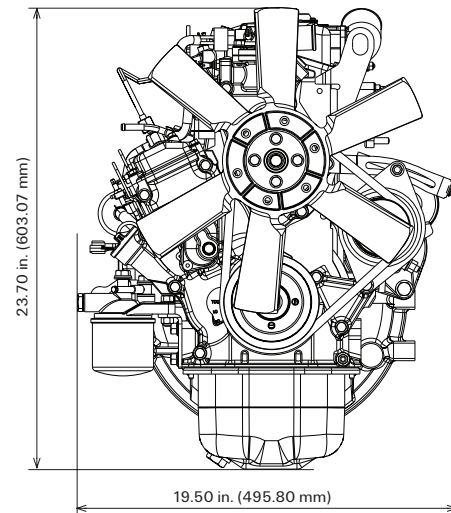
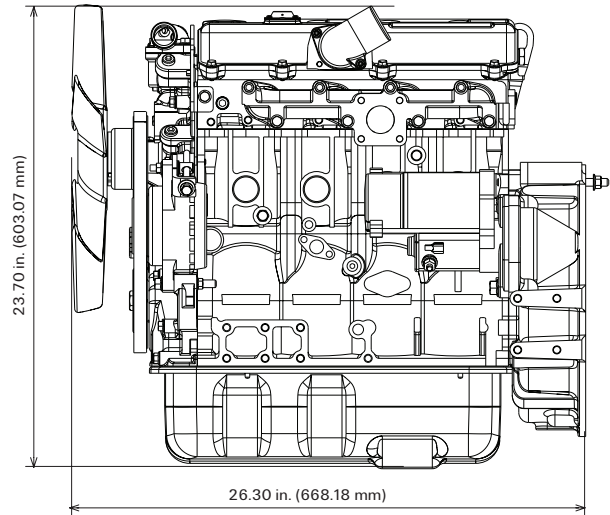
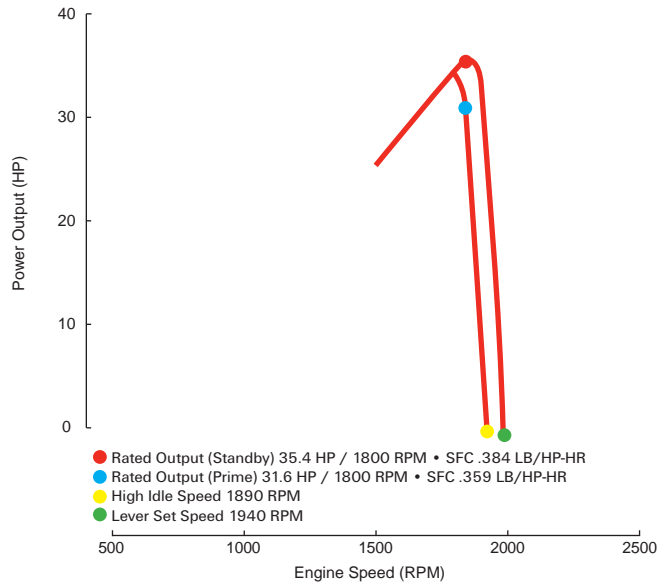
Standard features:

- U.S. EPA Tier 4 Interim
- Displacement: 2.2 L
- Naturally aspirated
- Fuel consumption: .384 LB/HP-HR
- Flywheel housing: SAE 5
- Electric & self-priming fuel lift pump
- 12V and 24V available
- Glow plug starting aid
- High angularity oil pan
- 500-hour service intervals
- 5-year / 5,000-hour warranty

The power behind it all.

ISUZU
DIESEL

4LE2 Genset Performance Curves:



Available options:

- Cooling system
- Air cleaner
- Exhaust system
- Front and rear mounts
- Skid base
- Instrument panel & extension harness
- Custom power unit

Horsepower comparison:

Engine Model	Cylinders	Displacement (L)	HP Range
3CE1	3	1.6	20-24
4LE2	4	2.2	30-36
4LE1T	4	2.2	40-48

For additional information, please contact your local distributor or visit www.isuzuengines.com

Isuzu Motors America, LLC

46401 Commerce Center Drive
 Plymouth, Michigan 48170
 Phone: 734.582.9470
 Fax: 734.455.7581

ILS-4LE2-E

www.isuzuengines.com