

ISUZU
DIESEL

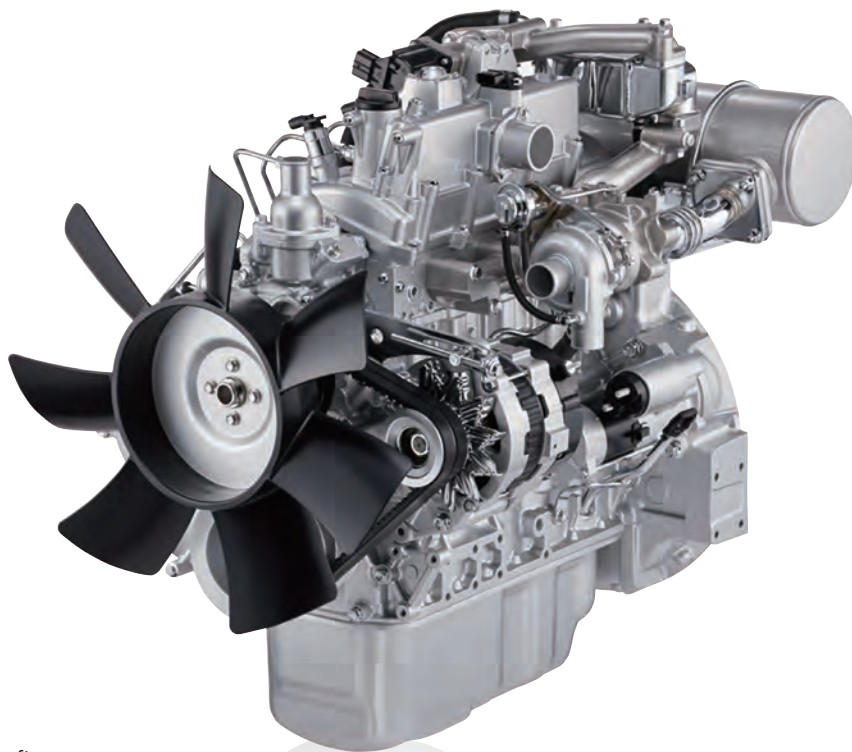
4 SERIES

Dependable Power

- 4LE2T** - 40 HP (30 KW) @ 1800 RPM (constant speed)
48 HP (36 KW) @ 2400 RPM (variable speed)
- 4LE2X** - 66 HP (49 KW) @ 1800 RPM (constant speed)
62 HP (46 KW) @ 2400 RPM (variable speed)

FOR MOVERS

(not shakers)



High technology exhaust after treatment provides the ideal level of applied simplicity and end user satisfaction for those on the move.

Certifications

U.S. EPA Tier **4**
EU Stage **III B**

isuzuengines.com



- Agricultural
- General Industrial
- Marine
- Eco-Friendly
- Automotive
- On Road Heavy Duty

Applications

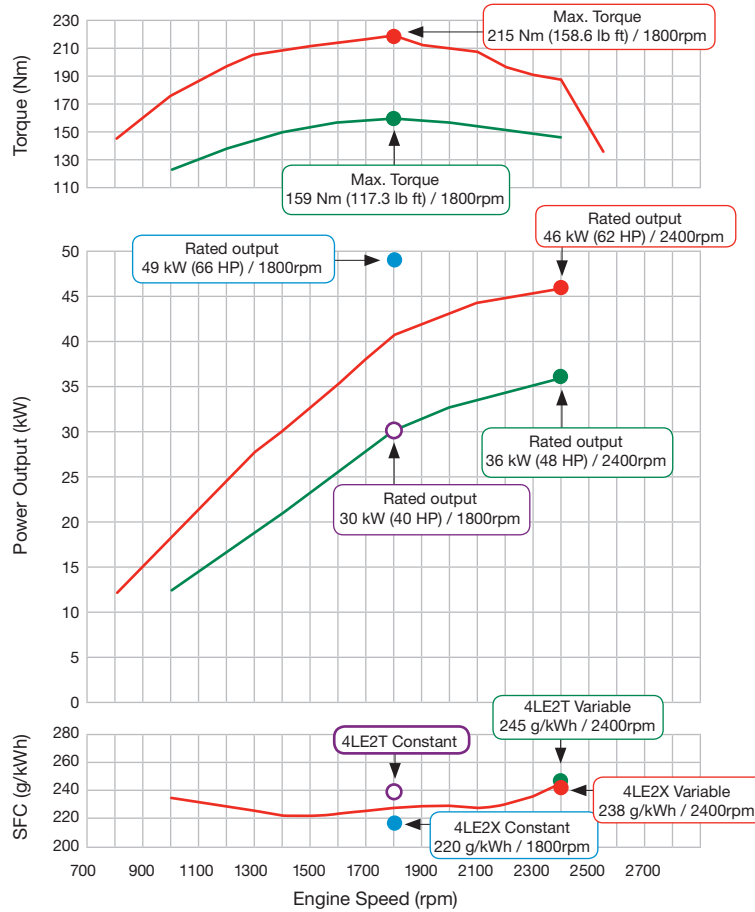
- AWP
- Water Pump
- Hydraulic Pump
- Refrigeration
- Generator
- Asphalt Paver
- Irrigation

ISUZU
DIESEL

The Strength to Work Harder.

Performance

Engine Performance Curves



Standard

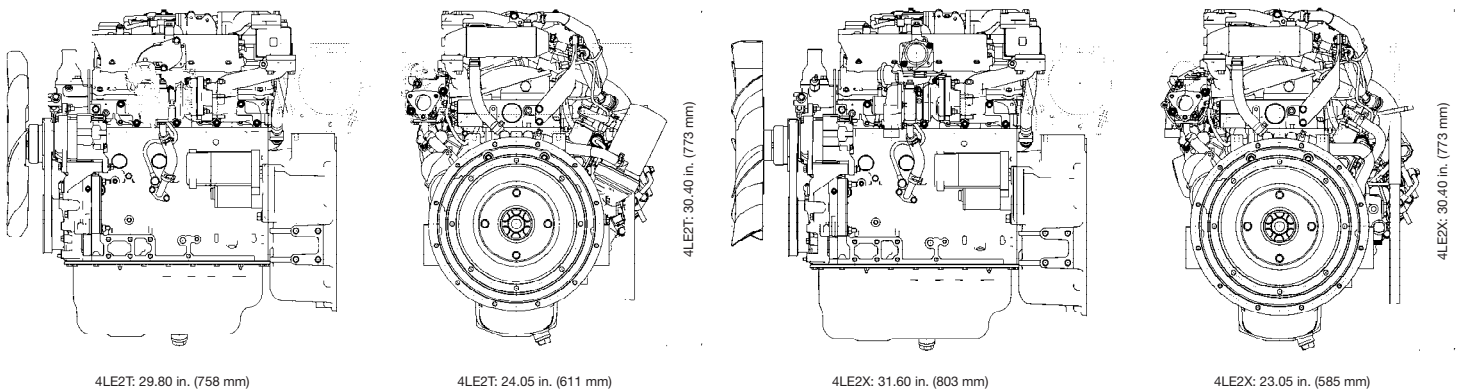
- Emission Control Device, maintenance free
- DOC
- Other emission-reducing features, including Cooled EGR, Wastegate Turbocharger
- High pressure Common Rail and Direct Injection
- Electric & self-priming fuel lift pump
- Glow plug starting aid
- 5-year / 5,000-hour warranty
- 500-hour oil drain & service interval

Available Options

- Side or bottom drain oil pan
- SAE A Gear Case PTO
- Flywheel housings: SAE #4, #5, or flat plate
- Cooling packages
- Air cleaners
- Meter board and wire harness
- Engine mounting
- Weather and sound-proofing enclosure

Engine Performance Curves

- 4LE2T - Constant Speed
- 4LE2T - Variable Speed
- 4LE2X - Constant Speed
- 4LE2X - Variable Speed



Note: SAE #4 flywheel housing shown (largest)

For additional information, please contact your local distributor or visit isuzuengines.com

Isuzu Motors America, LLC
46401 Commerce Center Drive
Plymouth, Michigan 48170
Phone: 734.582.9470
Fax: 734.455.7581

ILS-4LE2T/X-014-1

isuzuengines.com