

Isuzu Diesel Engines



## 3CD1T

Industrial Drive: 41.6 HP @ 2800 RPM

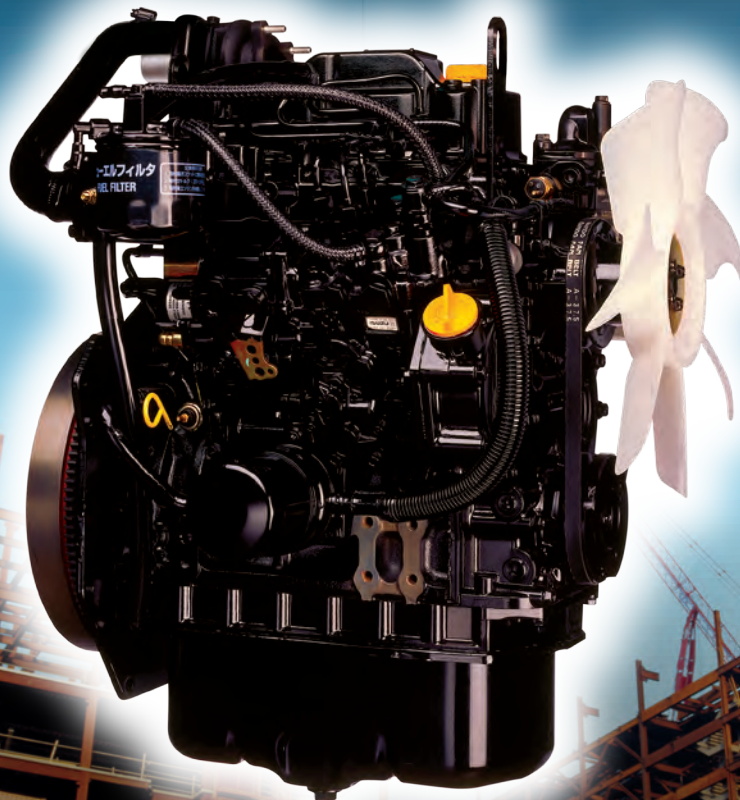
### Standard features:

- U.S. EPA Tier 4 Interim
- Displacement: 1.5 L
- Turbo charged
- Peak torque: 91.8 lb/ft @ 1500 RPM
- Fuel consumption: .401 LB/HP-HR
- Flywheel housing: SAE 5
- Electric & self-priming fuel lift pump
- 12V electrics
- Glow plug starting aid
- High angularity oil pan
- 250-hour service intervals
- 2-year / 2,000-hour warranty

The power behind it all.

**ISUZU**  
DIESEL

Isuzu Diesel Engines



## 3CD1T

Industrial Drive: 41.6 HP @ 2800 RPM

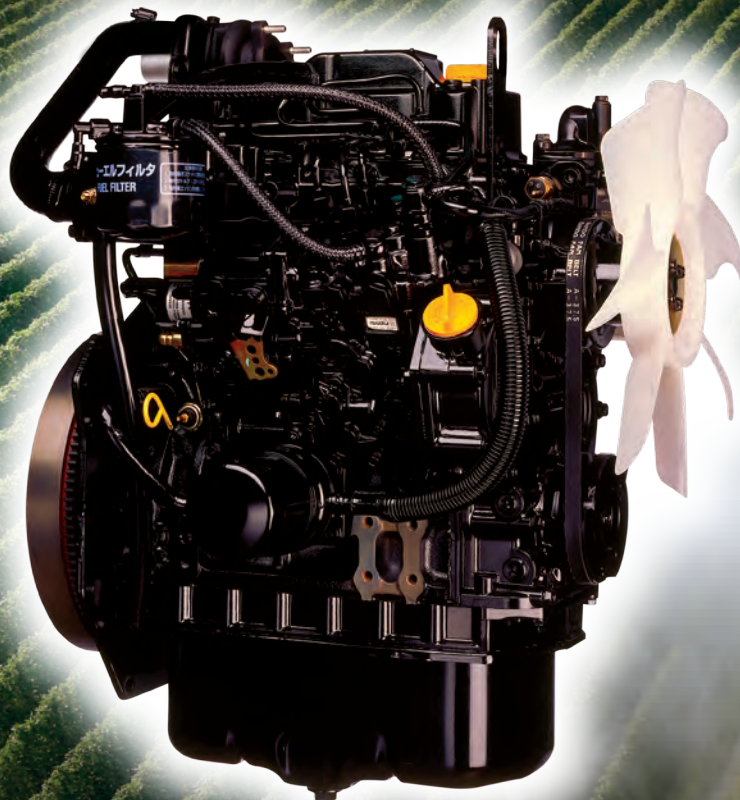
### Standard features:

- U.S. EPA Tier 4 Interim
- Displacement: 1.5 L
- Turbo charged
- Peak torque: 91.8 lb/ft @ 1500 RPM
- Fuel consumption: .401 LB/HP-HR
- Flywheel housing: SAE 5
- Electric & self-priming fuel lift pump
- 12V electrics
- Glow plug starting aid
- High angularity oil pan
- 250-hour service intervals
- 2-year / 2,000-hour warranty

The power behind it all.

**ISUZU**  
DIESEL

Isuzu Diesel Engines



## 3CD1T

Industrial Drive: 41.6 HP @ 2800 RPM

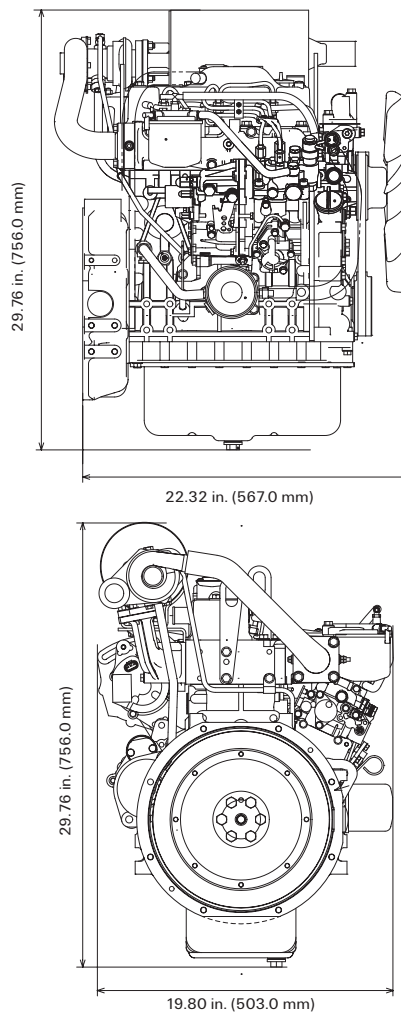
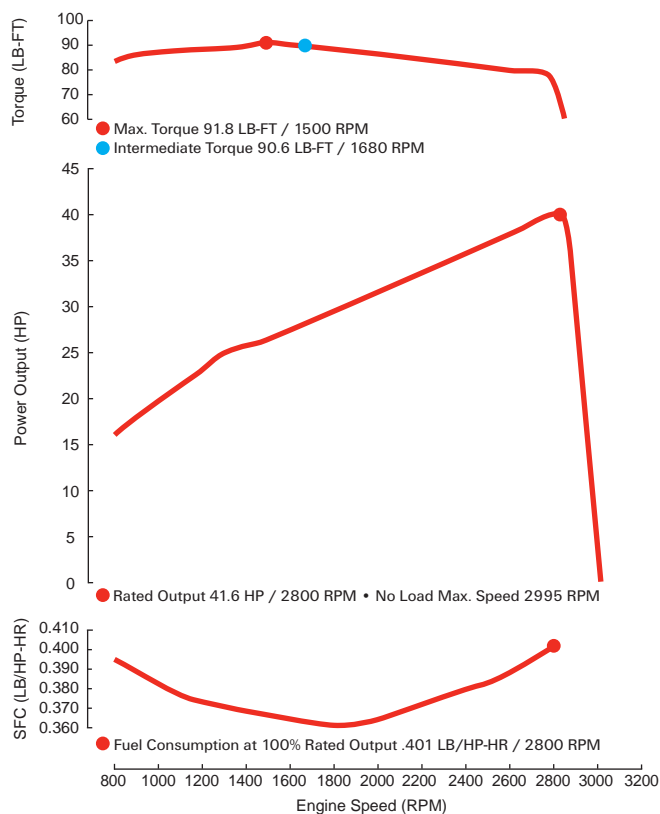
### Standard features:

- U.S. EPA Tier 4 Interim
- Displacement: 1.5 L
- Turbo charged
- Peak torque: 91.8 lb/ft @ 1500 RPM
- Fuel consumption: .401 LB/HP-HR
- Flywheel housing: SAE 5
- Electric & self-priming fuel lift pump
- 12V electrics
- Glow plug starting aid
- High angularity oil pan
- 250-hour service intervals
- 2-year / 2,000-hour warranty

The power behind it all.

**ISUZU**  
DIESEL

### 3CD1T Industrial Performance Curves:



### Available options:

- Cooling system
- Air cleaner
- Exhaust system
- Front and rear mounts
- Skid base
- Instrument panel & extension harness
- Custom power unit
- Electric & isochronous governor

### Horsepower comparison:

Engine Model	Cylinders	Displacement (L)	HP Range
3CB1	3	1.1	18-25
3CE1	3	1.6	30-40
3CD1T	3	1.5	30-40
4LE1	4	2.2	35-50

For additional information, please contact your local distributor or visit [www.isuzuengines.com](http://www.isuzuengines.com)

### Isuzu Motors America, LLC

46401 Commerce Center Drive  
 Plymouth, Michigan 48170  
 Phone: 734.582.9470  
 Fax: 734.455.7581

ILS-3CD1T-I

[www.isuzuengines.com](http://www.isuzuengines.com)